

Techne™

ARTIST & DRAFTING LAMP

Fact Sheet



The Techne artist & drafting lamp has been specifically designed to be easily mounted on any type of easel, drafting table, drawing board or a work bench. The fully flexible arm allowing a 360° shade rotation combined with the 320° head-flip system lets you position the light exactly where you want it. When working on an easel or at a table the Techne lets you direct the light to the specific area you are working on - for close-up precision and attention to detail. Awaken the artist in you with Techne.



LIGHT QUALITY



ERGONOMICS



DESIGN

LED 6,000 K daylight

3,000 Lux at 30cm (12")

3 brightness levels

daylightcompany.com

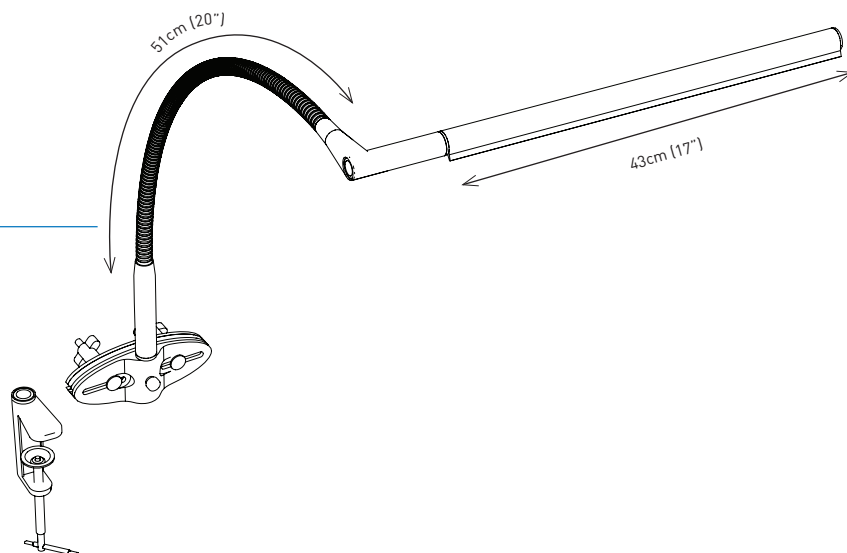
TechneTM

D35000

ARTIST & DRAFTING LAMP

FEATURES

- Wide and even light coverage
- 3 brightness levels
- 360° shade rotation
- 320° shade swivel
- Universal easel clamp
- Drafting and drawing table G-clamp



SPECIFICATIONS

Product information

Weight	1.4 kg (3 lb)
Colour	Brushed steel
Cable length	3 m (118")

Light output

Light source	LED
Lumens	822 lm
Lux at 30 cm (12")	3,000
Colour temperature	6,000 K
CRI	90+
Energy consumption	12W

Packaging information

Height	30 cm (11.8")
Width	90.5 cm (35.6")
Depth	12 cm (4.7")
Packed weight	5 kg (11 lb)
Products per master carton	2